

# TEAC


## SERVICE MANUAL

# SR-L38MP3

WALL-MOUNTABLE  
CD RECEIVER



### NOTES

- PC board shown are viewed from parts side.
- The parts with no reference number or no parts number in the exploded views are not supplied.
- As regards the resistors and capacitors, refer to the circuit diagrams contained in this manual.
-  Parts marked with this sign are safety critical components. they must be replaced with identical components - refer to the appropriate parts list and ensure exact replacement.

[T/C]: UL/CSA [E]: EUROPE [UK]: U.K.

### CONTENTS

<b>1 SPECIFICATIONS</b>	2
<b>2 SAFETY INFORMATION</b>	3
<b>3 ADJUSTMENT AND CHECKS</b>	4
<b>4 EXPLODED VIEW AND PARTS LIST</b>	7
<b>5 PC BOARDS AND PARTS LISTS</b>	12
<b>6 WIRING DIAGRAM</b>	20
<b>7 INCLUDED ACCESSORIES</b>	22

# SR-L38MP3

## 1 SAFETY INFORMATION

### SAFETY INFORMATION

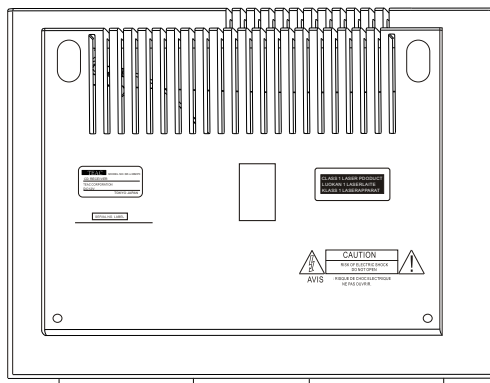
This product has been designed and manufactured according to FDA regulations " title 21, CFR, chapter 1, subchapter J, based on The Radiation Control for Health and Safety Act of 1968" and is classified as class 1 laser product. There is not hazardous invisible laser radiation during operation because invisible laser radiation emitted inside of this product is completely confined in the protective housings. The label required in this regulation is shown ①.

• **CAUTION**

USE OF CONTROLS OR ADJUSTMENT OR PERFORMANCE OF PROCEDURES OTHER THAN THOSE SPECIFIED HEREIN MAY RESULT IN HAZARDOUS RADIATION EXPOSURE.

DO NOT REMOVE THE PROTECTIVE HOUSING USING SCREWDRIVER.

IF THIS PRODUCT DEVELOPS TROUBLE, MAKE A CONTACT WITH OUR SERVICEMAN, AND DO NOT USE THE PRODUCT A TROUBLED STATE.



Optical pickup:

Type : CMS-M95BG6

Manufacturer : Samsung Electro-Mechanic

Laser output : Less than 0.5 mW on the objective lens

Wavelength : 760 -800 nm

## 2 SPECIFICATIONS

### TUNER Section

Frequency Range (FM): 87.5MHz to 108.00 MHz (100kHz step) - USA  
87.5MHz to 108.00 MHz (50kHz step) - EUR

Frequency Range (AM): 520kHz to 1710 kHz (10kHz step) - USA  
522kHz to 1620 kHz (9kHz step) - EUR

### CD PLAYER Section

**Frequency response :** 20 Hz ~ 20 kHz

**Wow and Flutter:** Unmeasurable

### SPEAKER SYSTEM Section

Type : 65 mm x 2

Impedance : 4 ohms

### GENERAL

Total Output Power: 3W + 3W

Power Requirements: 120V , 60Hz ( via dedicated AC adaptor) - USA  
230V , 50Hz (via dedicated AC adaptor) - EUR  
240V , 50Hz ( via dedicated AC adaptor) - UK

Power Consumption: 20 W

Dimension (W x H x D): 390 x 208 x 118 mm  
15.4 x 8.2 x 4.6 (inches)

Weight: (net) 6.4 lbs (2.9 kg)

Standard Accessories: AC Adaptor x 1  
Remote Control Unit (RC-996) x 1  
FM Lead-type Antenna x 1  
Owner's Manual x 1  
Warranty Card x 1  
Template for Wall Mounting x 1

- Design and specifications are subject to change without notice.
- Illustrations may differ slightly from production models.

# SR-L38MP3

## 3 ADJUSTMENTS AND CHECKS

### 3-1 TUNER SECTION

- Use a screwdriver with a plastic or ceramic grip for all adjustment.

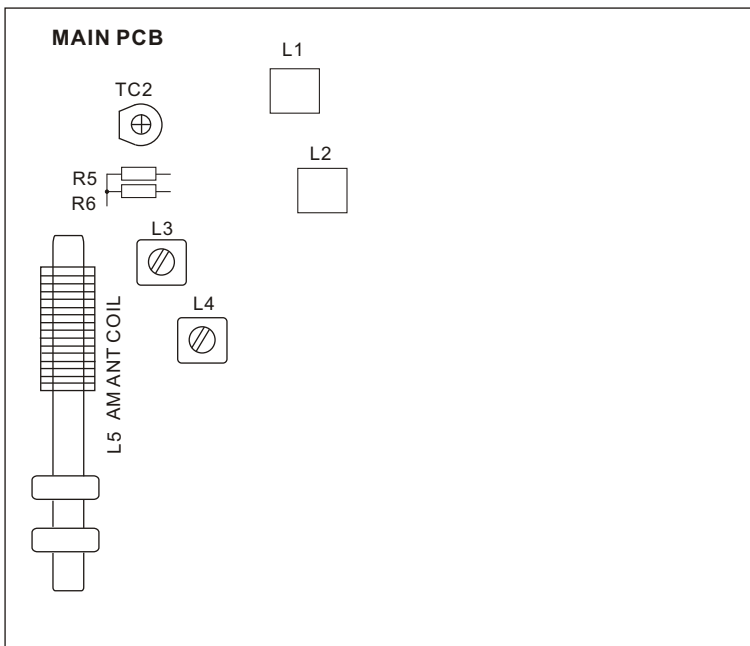
#### 3-1-1 FM adjustment

1. Set the function switch to the TUNER position.
2. Set the BAND switch to the FM position.
3. Connect the signal generator output through a 75 ohm dummy antenna to "ANT" on MAIN PCB.
4. Connect the oscilloscope to the PHONES JACK terminal.
5. Connect the digital multimeter to R5/R6 on MAIN PCB.
6. Set the signal generator as listed in the alignment chart.

#### 3-1-2 AM adjustment

1. Set the function switch to the TUNER position.
2. Set the BAND switch to the AM position.
3. Connect the test loop antenna across the output of the signal generator.
4. Connect the oscilloscope to the PHONES JACK terminal.
5. Connect the digital multimeter to R5/R6 on MAIN PCB.
6. Set the signal generator as listed in the alignment chart.

### 3-2 Adjustment and Test Points



## 3-2-1 AM Tuner

ITEM	SG SETTING	TUNER SETTING	ADJUSTMENT	MEASURING POINT. RESULT
<b>AM</b>				
<b>1. VOLTAGE adjustment</b>		1710kHz (USA) 1620kHz (EUR)	L3	VT 7.8-8.2V
		520kHz (USA) 522kHz (EUR)	Check	
<b>2. IFT adjustment</b>	450kHz 1kHz, 30% mod	600kHz (USA) 603kHz (EUR)	L4	Adjust for max. output.
<b>3. ANT COIL adjustment</b>	600kHz (USA) 603kHz (EUR) 1kHz, 30% mod	600kHz	L5 AM ant coil	Adjust for max. output.
<b>4. TC1 adjustment</b>	1400kHz (USA) 1404kHz (EUR) 1kHz, 30% mod	1400kHz	TC2 repeat step 3 and 4	Adjust for max. Output.

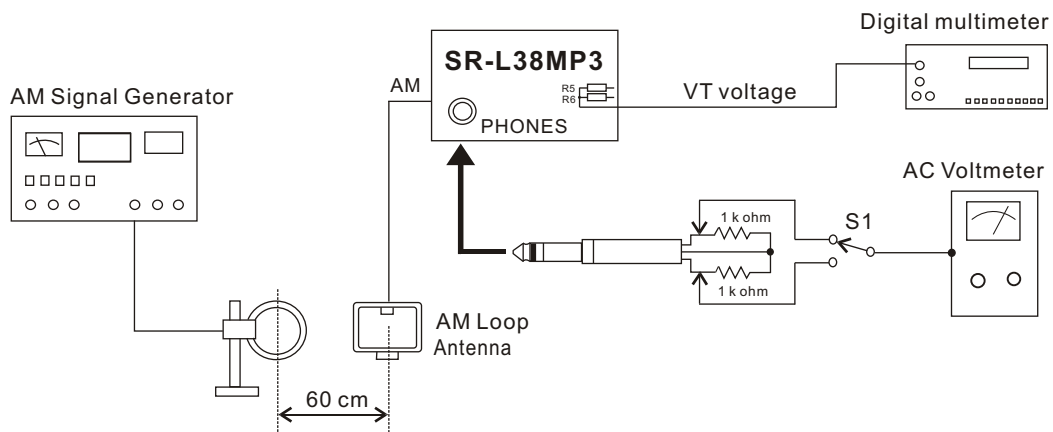


Fig. 3-2-2

# SR-L38MP3

## 3-2-3 FM Tuner

ITEM	SG SETTING	TUNER SETTING	ADJUSTMENT	MEASURING POINT. RESULT
<b>FM</b>				
<b>1. VOLTAGE adjustment</b>		106.1MHz	L2	VT 7.8-8.2V
		90.1MHz	Check	
<b>2. ANT COIL adjustment</b>	1KHz 22.5KHZ	90.1MHz	L1	Adjust for max. output.
<b>3. TC1 adjustment</b>	1KHz 22.5KHZ	108.0MHz	TC1 repeat step 2 and 3	Adjust for max. output.

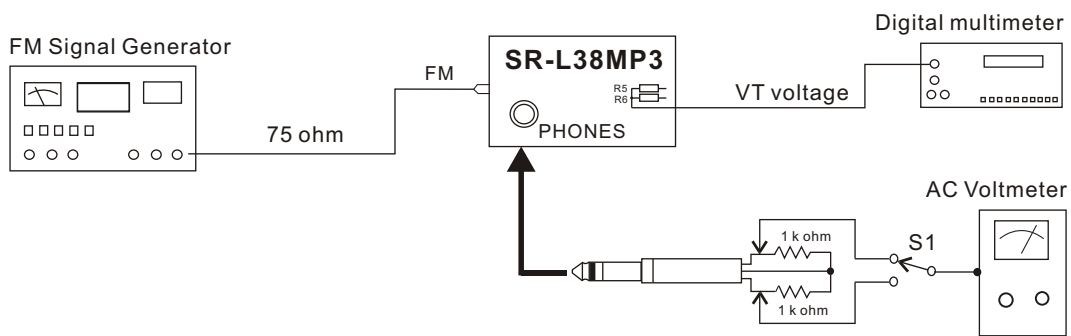
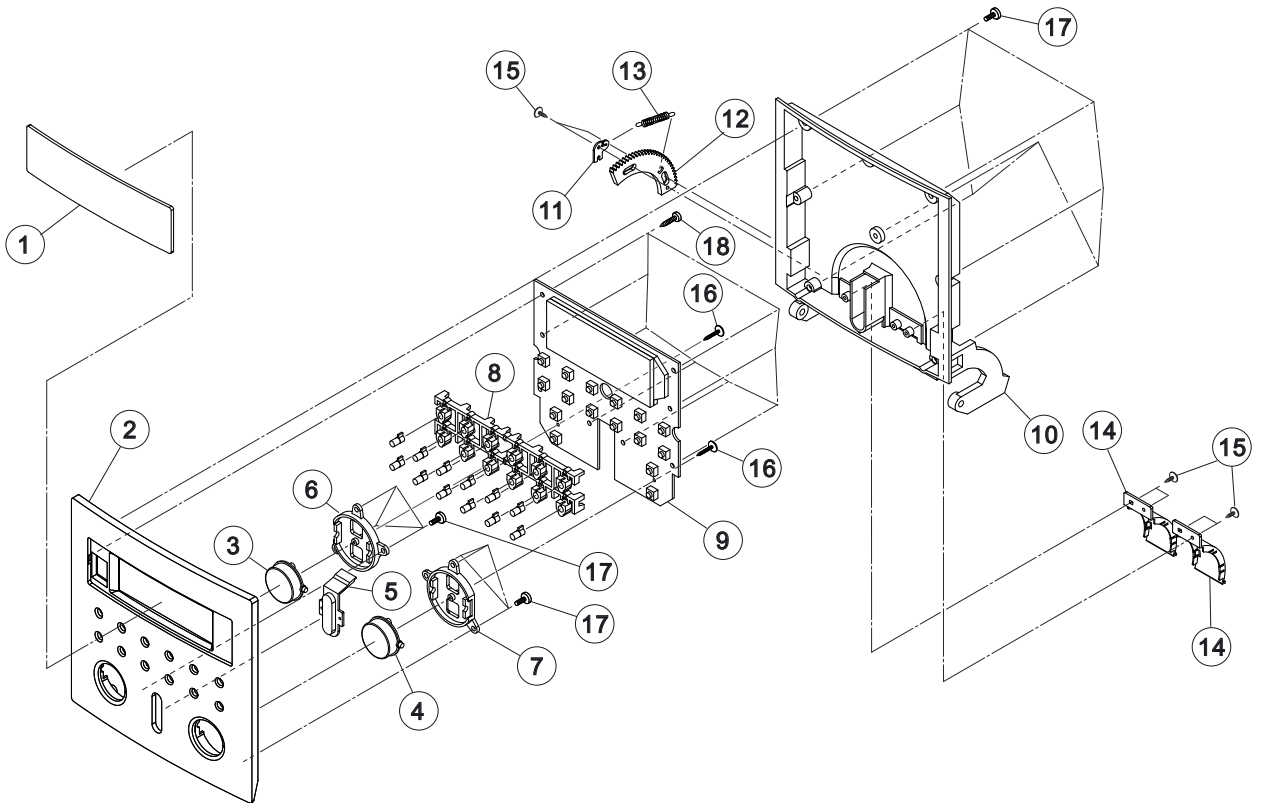


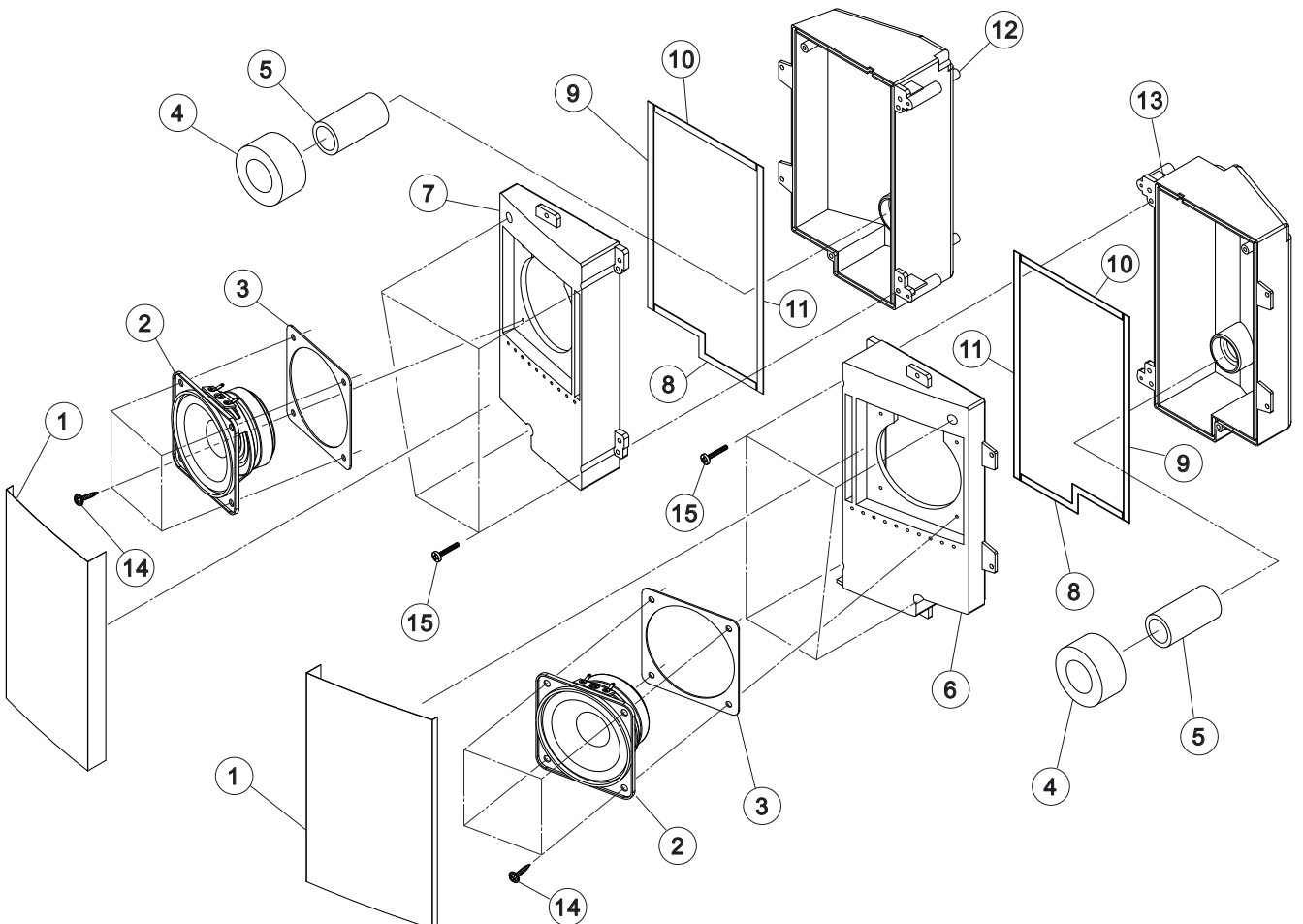
Fig. 3-2-4

## 4. EXPLODED VIEWS AND PARTS LIST

### EXPLODED VIEW 1 - CD DOOR ASSEMBLY



### EXPLODED VIEW 2 - R/L SPEAKER ASSEMBLY



# SR-L38MP3

## EXPLODED VIEW-1

REF. NO	PARTS NO.	DESCRIPTION	REMARKS
1-1	007-SR380101	LCD WINDOW	
1-2	006-R38B0101	CD DOOR PANEL - BLACK	
	006-R38W0101	CD DOOR PANEL - WHITE	
	006-R38S0101	CD DOOR PANEL - SILVER GREY	
1-3	004-R35B0501	TUNER KNOB - BLACK	
	004-R35W0501	TUNER KNOB - WHITE	
	004-R35S0501	TUNER KNOB - SILVER GREY	
1-4	004-R35B0401	VOLUME KNOB - BLACK	
	004-R35W0401	VOLUME KNOB - WHITE	
	004-R35S0401	VOLUME KNOB - SILVER GREY	
1-5	007-SR350300	CD DOOR LENS	
1-6	010-SR350900	TUNER KNOB COVER	
1-7	010-SR350800	VOLUME KNOB COVER	
1-8	004-SR350300	FUNCTION KNOB	
1-9	100-SR382050	CD CONTROL PCBASSY	
1-10	010-SR350100	CD DOOR HOLDER	
1-11	011-SR350201	CD DOOR SPRING BRACKET	
1-12	008-SRL35004	CD DOOR GEAR-D	
1-13	031-SR350111	CD DOOR SPRING	
1-14	010-SR351100	WIRE COVER	
1-15	024-42006033	SCREW PWA2X6MM (BLACK)	
1-16	024-42010032	SCREW PWA2X10MM	
1-17	023-23008033	SCREW BB3X8MM (BLACK)	
1-18	024-13010032	SCREW PA3X10MM	

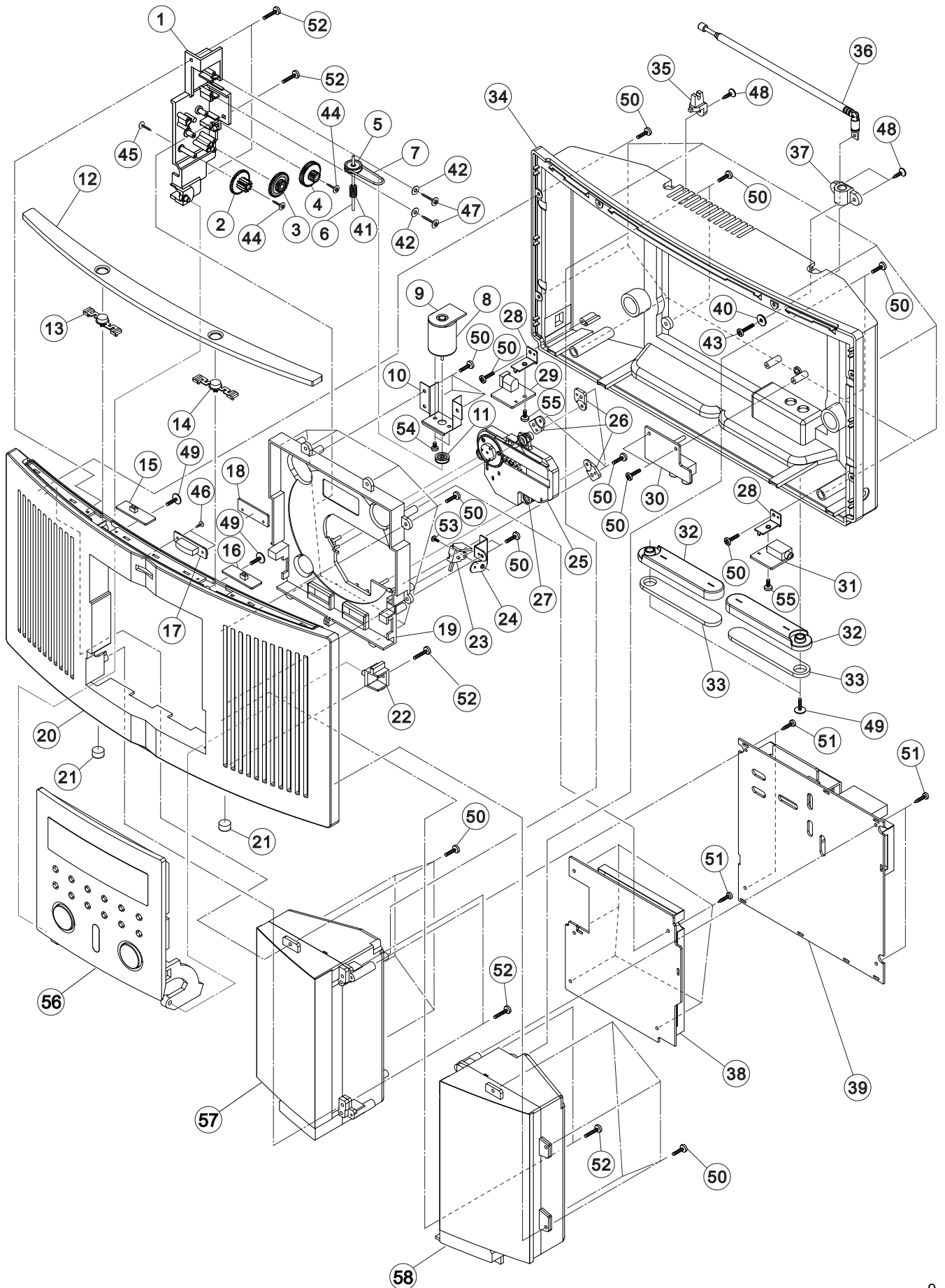
## EXPLODED VIEW-2

REF. NO	PARTS NO.	DESCRIPTION	REMARKS
2-1	051-SRL35001	SPEAKER NET HIMERON	
2-2	061-SR350400	SPEAKER 4 OHM 2.75 INCHES	
2-3	035-SRL35052	SPEAKER EVA WASHER	
2-4	035-SRL35061	PAPER TUBE SPONGE	
2-5	044-SRL35031	SPEAKER PAPER TUBE L/R	
2-6	010-SR350600	SPEAKER PANEL - R	
2-7	010-SR350500	SPEAKER PANEL - L	
2-8	035-SRL35032	SPEAKER EVA SHEET - C 105X5X1MM	
2-9	035-SRL35022	SPEAKER EVA SHEET - B 153X5X1MM	
2-10	035-SRL35042	SPEAKER EVA SHEET - D 87X5X1MM	
2-11	035-SRL35012	SPEAKER EVA SHEET - A 168X5X1MM	
2-12	010-SR350301	SPEAKER BOX - L	
2-13	010-SR350402	SPEAKER BOX - R	
2-14	024-43010033	SCREW PWA3X10MM (BLACK)	
2-15	023-23014033	SCREW BB3X14MM (BLACK)	



# SR-L38MP3

## EXPLODED VIEW 3 - MAIN ASSEMBLY



# SR-L38MP3

## EXPLODED VIEW-3

REF. NO	PARTS NO.	DESCRIPTION	REMARKS
3-1	002-SR350200	CD DOOR GEAR BASE	
3-2	008-SRL35003	CD DOOR GEAR-C	
3-3	008-SRL35002	CD DOOR GEAR-B	
3-4	008-SRL35001	CD DOOR GEAR-A	
3-5	008-SRL35005	BELT PULLEY	
3-6	014-SRL35010	WORM GEAR SHAFT	
3-7	033-02301015	CD MOTOR BELT	
3-8	085-SRL35060	CD MOTOR - RF-370CA-15370	
3-9	100-SR352120	CD MOTOR PCB ASSY	
3-10	011-SR350300	CD MOTOR BRACKET	
3-11	008-SRL35007	MOTOR PULLEY	
3-12	010-R35B0701	TOP PLATE - BLACK	
	010-R35W0701	TOP PLATE - WHITE	
	010-R35S0701	TOP PLATE - SILVER GREY	
3-13	004-R35B0101	POWER KNOB - BLACK	
	004-R35W0101	POWER KNOB - WHITE	
	004-R35S0101	POWER KNOB - SILVER GREY	
3-14	004-R35B0201	CD OPEN/CLOSE KNOB - BLACK	
	004-R35W0201	CD OPEN/CLOSE KNOB - WHITE	
	004-R35S0201	CD OPEN/CLOSE KNOB - SILVER GREY	
3-15	100-SR352050	POWER ON/OFF PCB ASSY	
3-16	100-SR352060	CD OPEN/CLOSE PCB ASSY	
3-17	007-SR350200	POWER LENS	
3-18	100-SR352070	POWER LED PCB ASSY	
3-19	002-SR350100	CD BASE	
3-20	001-R35B0001	FRONT PANEL - BLACK	
	001-R35W0001	FRONT PANEL - WHITE	
	001-R35S0001	FRONT PANEL - SILVER GREY	
3-21	037-SR350100	RUBBER FOOT - A	
3-22	010-SR351000	CD DOOR SHAFT HOLDER - R	
3-23	100-SR352110	CD DOOR SW. PCB ASSY	
3-24	011-SR350400	CD OPEN/CLOSE SW BRACKET	
3-25	039-S8880130	CD DECK ASSY - CMS-M95BG6	
3-26	010-S8880100	CD RUBBER CAP	
3-27	037-SR350300	CD RUBBER - BLACK	
3-28	011-SR350100	DC JACK/HEADPHONE PCB BRACKET	
3-29	100-SR352080	DC JACK PCB ASSY	
3-30	100-SR352100	AUX JACK PCB ASSY	
3-31	100-SR352090	PHONE JACK PCB ASSY	
3-32	010-R35B0201	REVOLUTION FOOT - BLACK	
	010-R35W0201	REVOLUTION FOOT - WHITE	
	010-R35S0201	REVOLUTION - SILVER GREY	
3-33	037-SR350200	RUBBER FOOT - B	

# SR-L38MP3

## EXPLODED VIEW-3

REF. NO	PARTS NO.	DESCRIPTION	REMARKS
3-34	001-R38B0201 001-R38W0201 001-R38S0201 001-R38B0202 001-R38B0203	REAR PANEL - BLACK [T/C] REAR PANEL - WHITE [T/C] REAR PANEL - SILVER GREY [T/C] REAR PANEL - BLACK [E] [UK] W/O MADE IN CHINA REAR PANEL - BLACK [E] [UK] WITH MADE IN CHINA	
	001-R38W0202 001-R38W0203 001-R38S0202 001-R38S0203	REAR PANEL - WHITE [E] [UK] W/O MADE IN CHINA REAR PANEL - WHITE [E] [UK] - WITH MADE IN CHINA REAR PANEL - SILVER GREY [E] [UK] W/O MADE IN CHINA REAR PANEL - SILVER GREY WITH MADE IN CHINA	
3-35	009-R35B0201 009-R35W0201 009-R35S0201	FM ANT STOPPER - BLACK [E] [UK] FM ANT STOPPER - WHITE [E] [UK] FM STOPPER - SILVER GREY [E] [UK]	
3-36	089-00000014	FM ROD ANTENNA [E] [UK]	
3-37	009-R35B0101 009-R35W0101 009-R35S0101	FM ANT HOLDER - BLACK [E] [UK] FM ANT HOLDER - WHITE [E] [UK] FM ANT HOLDER - SILVER GREY [E] [UK]	
3-38	100-SR382030 100-SR382040	CD PCB ASSY [T/C] CD PCB ASSY [E] [UK]	
3-39	100-SR382010 100-SR382020	MAIN PCB ASSY [T/C] MAIN PCB ASSY [E] [UK]	
3-40	012-10060380	METAL WASHER 3.8X6X1MM	
3-41	008-SRL35006	CD DOOR WORM GEAR	
3-42	012-05080208	NYLON WASHER 2X8X0.5MM(BLACK)	
3-43	022-23012031	SCREW BM3X12MM	
3-44	024-41806033	SCREW PWA1.8X6MM (BLACK)	
3-45	024-41810032	SCREW PWA1.8X10MM	
3-46	024-42006033	SCREW PWA2X6MM (BLACK)	
3-47	024-42010032	SCREW PWA2X10MM	
3-48	024-33010031	SCREW KA3X10MM	
3-49	023-43010033	SCREW PWB3X10MM (BLACK)	
3-50	023-23010033	SCREW BB3X10MM (BLACK)	
3-51	024-13010032	SCREW PA3X10MM	
3-52	023-23012033	SCREW BB3X12MM (BLACK)	
3-53	022-22605032	SCREW BM2.6X5MM	
3-54	022-83004032	SCREW PM3X4MM	
3-55	022-23006032	SCREW BM3X6MM	
3-56		CD DOOR ASSEMBLY	
3-57		L-SPEAKER ASSEMBLY	
3-58		R-SPEAKER ASSEMBLY	

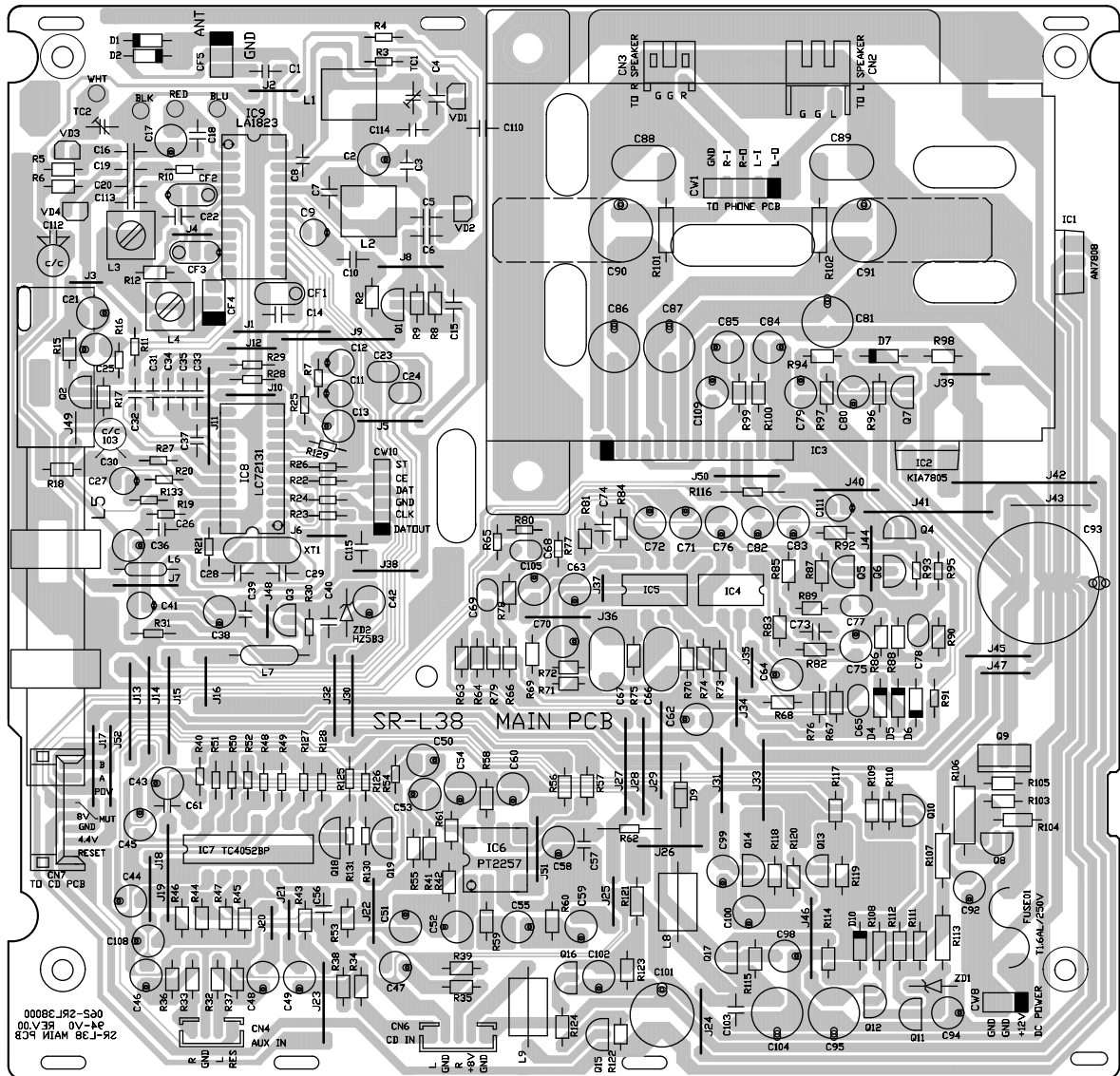
# SR-L38MP3

## 5 PC BOARDS AND PARTS LIST

### MAIN PCB ASSY

REF. NO	PARTS NO.	DESCRIPTION	REMARKS
	100-SR382010	MAIN PCB ASSY [T/C]	
	100-SR382020	MAIN PCB ASSY [E] [UK]	
	062-SRL38000	MAIN PCB	
	020-SD900000	FM ANTENNA JACK [T/C]	
C90,91,101	⚠ 072-30100161	E.CAP 1000UF/16V	
C93	⚠ 072-30680251	E.CAP 6800UF/25V	
CF1	093-11070004	CERAMIC FILTER JT10.7MG1-A	
CF2,3	081-31070201	FM CERAMIC FILTER L10.7MA5-A	
CF4	081-04500000	AM CERAMIC FILTER SFU450B	
CF5	054-06918000	FM FILTER GFMB3	
CN2	082-20340100	CONNECTOR 3P P=2.5MM	
CN3	082-20300100	CONNECTOR 3P P=2MM	
CN4	082-10400100	CONNECTOR 4P P=2MM	
CN6	082-10500100	CONNECTOR 5P P=2MM	
CN7	082-20800100	CONNECTOR 8P P=2MM	
D1,2,4,5,6,7,10	077-00414801	DIODE 1N4148	
D9	077-00400201	DIODE - 1N4002	
FUSE1	⚠ 090-22516022	FUSE T1.6AL 250V	
IC1	075-00780801	IC - AN7808	
IC2	075-00780501	IC - KIA7805PI	
IC3	075-00541718	IC - BA5417	
IC4,5	075-00455808	IC - BA4558	
IC6	075-00225700	IC - PT2257DIP	
IC7	075-00405201	IC - TC4052BP	
IC8	075-07213102	IC - LC72131	
IC9	075-00182302	IC - LA1823	
L1,2	078-08500351	FM COIL 0.8x5x3.5MM	
L3	079-D2930210	AM OSC COIL - RED	
L4	079-SLD90410	AM IFT COIL - YELLOW	
L5	096-SLD90010	AM ANT COIL 66T:14T	
L6	095-00100001	INDUCTOR 10UH	
L7	095-10220001	INDUCTOR 220UH	
L8,9	052-SRL50010	HORIZONTAL FERRITE CORE	
Q1	076-C1674L00	TR - 2SC1674L	
Q2-8,10,11,13,16, Q18,19	076-00C94500	TR - 2SC945	
Q9	076-00B98600	TR - 2SB986	
Q12	076-C2001L00	TR - 2SC2001L	
Q14,17	076-00A73300	TR - 2SA733	
Q15	076-00B54400	TR - 2SB544F	
TC1,TC2	073-00020022	TC. CAP 20PF	
VD1,VD2	077-50010101	1SV101	
VD3,VD4	077-50014901	ISV149	
XT1	093-45000000	CRYSTAL 4.5MHZ	
ZD1	077-3011B20H	ZENER DIODE 10V	
ZD2	077-3005B30H	ZENER DIODE 4.8-5.0V	

## MAIN PCB

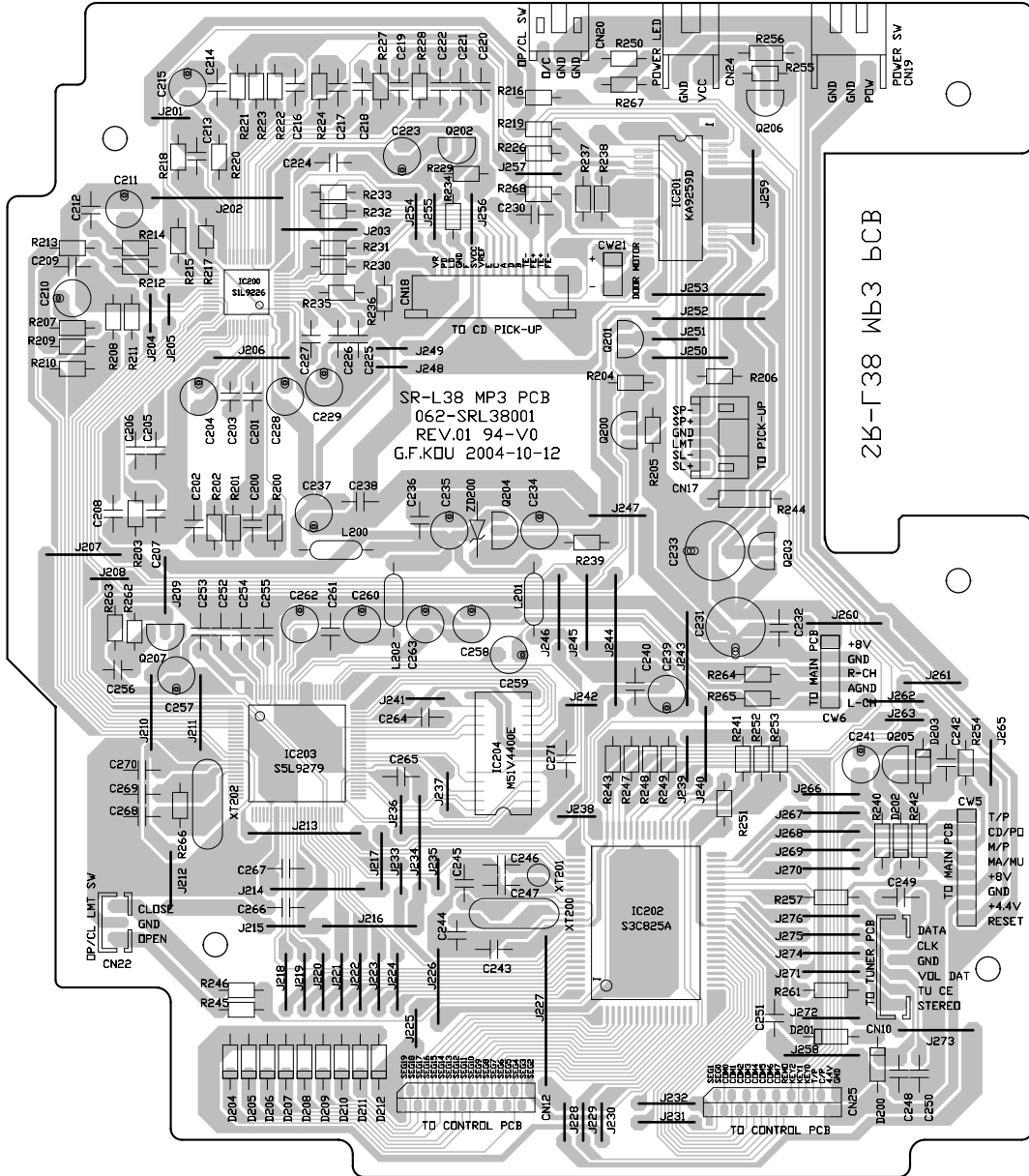


# SR-L38MP3

## CD PCB ASSY

REF. NO	PARTS NO.	DESCRIPTION	REMARKS
	100-SR382030	CD PCB ASSY [T/C]	
	100-SR382040	CD PCB ASSY [E] [UK]	
	062-SRL38001	CD PCB	
CN10	082-10600100	CONNECTOR 6P P=2MM	
CN12,25	082-21830300	FPC CONNECTOR 18P P=1MM	
CN17	082-20660100	CONNECTOR 6P P=1.5MM	
CN18	082-31630100	FPC CONNECTOR 16P P=1MM	
CN19	082-20340100	CONNECTOR 3P P=2.5MM	
CN20,22	082-20300100	CONNECTOR 3P P=2MM	
CN24	082-20240100	CONNECTOR 2P P=2.5MM	
D200-207,211,212	077-00414801	DIODE 1N4148	
IC200	075-00922639	IC - S1J9226	
IC201	075-00925923	IC - KA9259D	
IC202	075-00825A39	IC - S3C825A	
IC203	075-00927939	IC - S5L9279	
IC204	075-51440039	IC - MSM51V4400E	
L200,201,202	095-00100001	INDUCTOR 10UH	
Q200,201,202	076-00A73300	TR - 2SA733	
Q203	076-00B54400	TR - 2SB544F	
Q204	076-C2001L00	TR - 2SC2001L	
Q205,206,207	076-00C94500	TR - 2SC945	
XT200	093-08000000	CRYSTAL 8MHz	
XT201	093-A0327682	CRYSTAL 32.768KHz	
XT202	093-11693440	CRYSTAL 16.9344MHz	
ZD200	077-3004B20H	ZENER DIODE 3.9V 0.5W	

CD PCB



# SR-L38MP3

## CD CONTROL PCB ASSY

REF. NO	PARTS NO.	DESCRIPTION	REMARKS
	100-SR382060	CD CONTROL PCB ASSY	
	062-SRL38004	CD CONTROL PCB	
CN26,27	082-21830300	FPC CONNECTOR 18P P=1MM	
LCD	080-SRL38021	LCD DISPLAY TCM-4220	
LED02	094-06030502	BLUE LED 5MM	
Q300-303	076-00C94500	TR - 2SC945	
SW02-017	063-0GP28020	TACT SW. H=5MM	
U01	083-00LT1000	RECEIVER SENSOR	

## POWER ON/OFF PCB ASSY

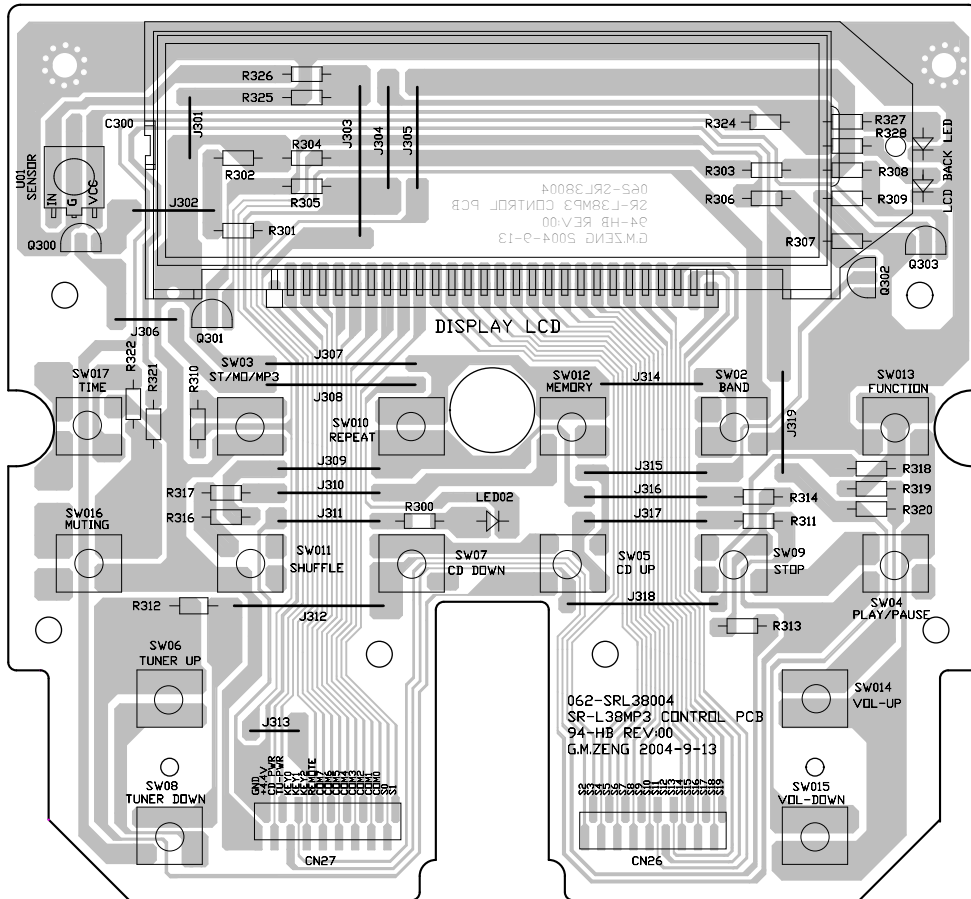
REF. NO	PARTS NO.	DESCRIPTION	REMARKS
	100-SR352050	POWER ON/OFF PCB ASSY	
	062-SRL35003	POWER ON/OFF PCB	
SW01	063-SRL35090	TACT SW. H=5.5MM	

## CD OPEN/CLOSE PCB ASSY

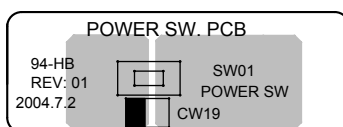
REF. NO	PARTS NO.	DESCRIPTION	REMARKS
	100-SR352060	CD OPEN/CLOSE PCB ASSY	
	062-SRL35003	CD OPEN/CLOSE PCB	
SW018	063-SRL35090	TACT SW. H=5.5MM	



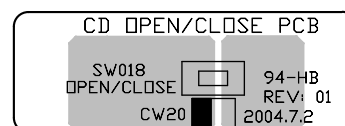
## CD CONTROL PCB



## POWER ON/OFF PCB



## CD OPEN/CLOSE PCB



# SR-L38MP3

## POWER LED PCB ASSY

REF. NO	PARTS NO.	DESCRIPTION	REMARKS
LED01	100-SR352070	POWER LED PCB ASSY	
	062-SRL35003	POWER LED PCB	
	094-06030502	BLUE LED 5MM	

## DC JACK PCB ASSY

REF. NO	PARTS NO.	DESCRIPTION	REMARKS
CN8 JK1	100-SR352080	DC JACK PCB ASSY	
	062-SRL35003	DC JACK PCB	
	082-10340100	CONNECTOR 3P P=2.5MM	
	064-20110102	DC JACK TD0202-20	

## PHONE JACK PCB ASSY

REF. NO	PARTS NO.	DESCRIPTION	REMARKS
CN1 JK2 L12	100-SR352090	PHONE JACK PCB ASSY	
	062-SRL35003	PHONE JACK PCB	
	082-10540100	CONNECTOR 5P P=2.5MM	
	064-35020101	HEAD PHONE JACK TE-03506S-11	
	095-10270001	INDUCTOR 270UH	

## AUX JACK PCB ASSY

REF. NO	PARTS NO.	DESCRIPTION	REMARKS
JK3 SW023	100-SR352100	AUX JACK PCB ASSY	
	062-SRL35005	AUX JACK PCB	
	086-SRL35020	AUX JACK 2P TR-0209RW	
	063-SRL35080	TACT SWITCH TS-01L8B	

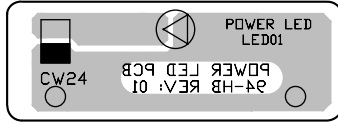
## CD DOOR SW PCB ASSY

REF. NO	PARTS NO.	DESCRIPTION	REMARKS
SW19	100-SR352110	CD DOOR SW PCB ASSY	
	063-SRL35400	LEAF SWITCH	

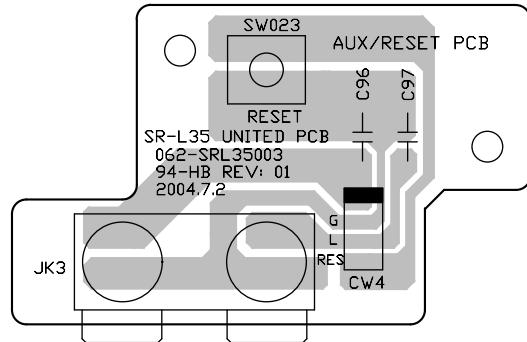
## DC MOTOR PCB ASSY

REF. NO	PARTS NO.	DESCRIPTION	REMARKS
CN21	100-SR352120	DC MOTOR PCB ASSY	
	062-SRL35003	CD MOTOR PCB ASSY	
	082-10300100	CONNECTOR 3P P=2MM	

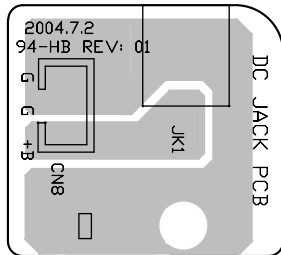
POWER LED PCB



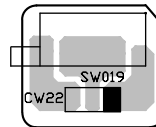
AUX JACK PCB



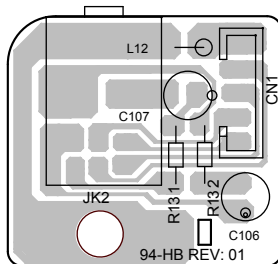
DC JACK PCB



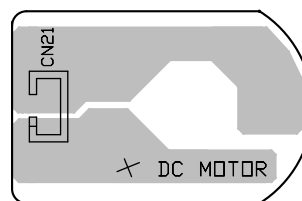
CD DOOR SW PCB



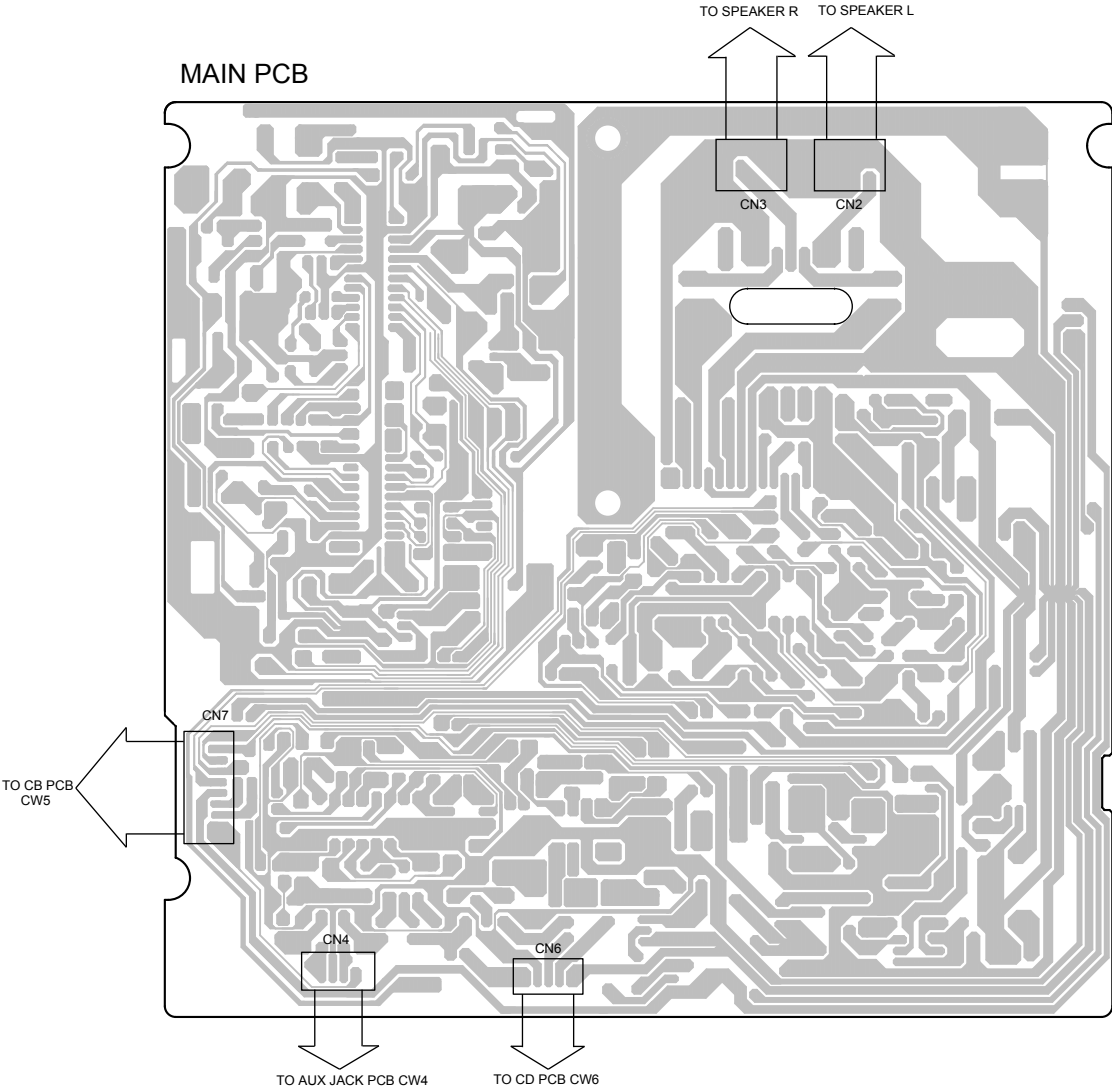
PHONE JACK PCB

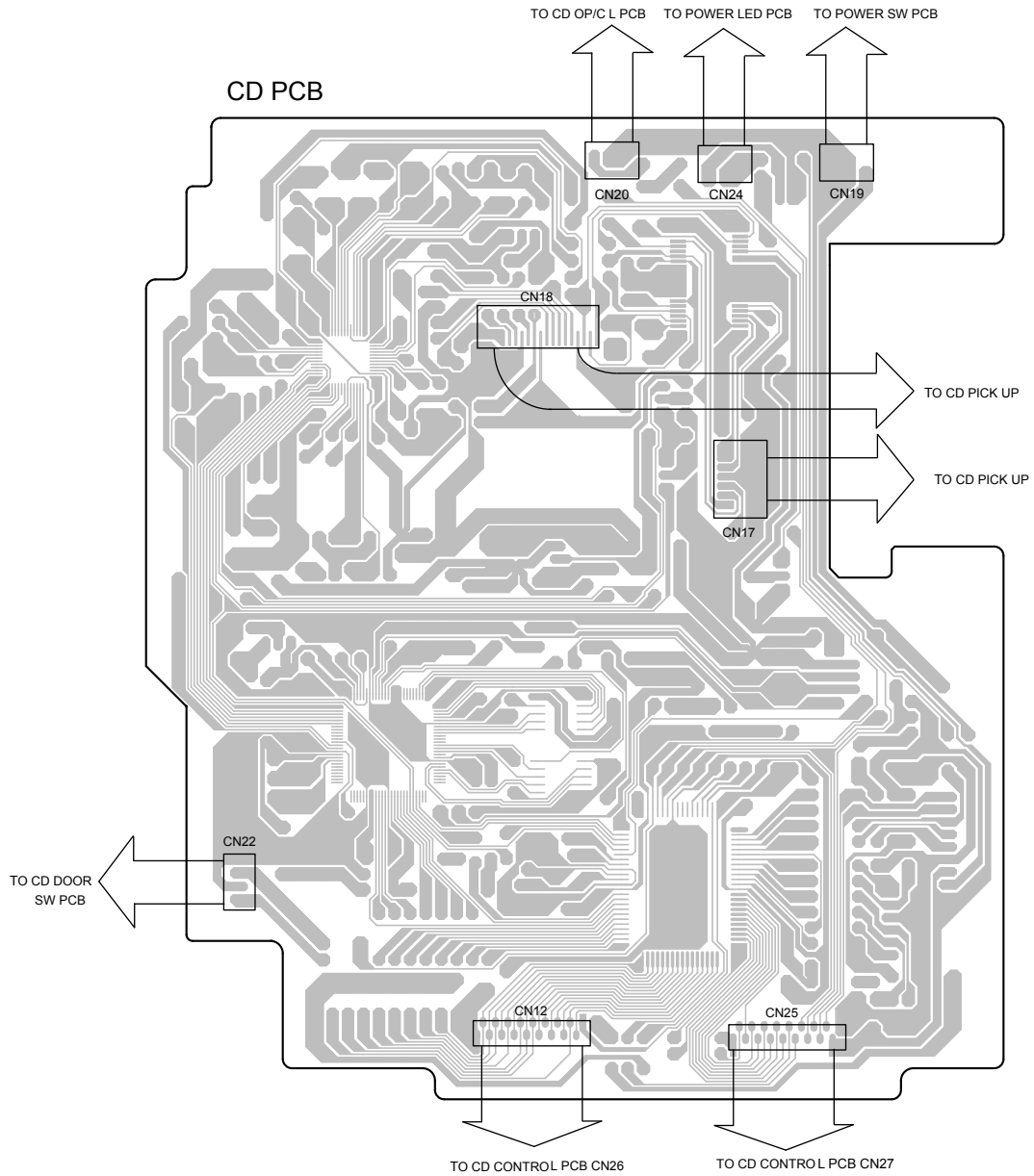


DC MOTOR PCB



6 WIRING DIAGRAM





# SR-L38MP3

## 7 INCLUDED ACCESSORIES

### INCLUDED ACCESSORIES

REF. NO	PARTS NO.	DESCRIPTION	REMARKS
	046-SRL38040	INSTRUCTION MANUAL - E/S [T/C]	
	046-SRL38020	INSTRUCTION MANUAL - E/F/S [E] [UK]	
	046-SRL38030	INSTRUCTION BOOK - G/H/I [E] [UK]	
	084-SR351200	AC ADAPTER UL 120V/60Hz [T/C]	
	084-SR351100	AC ADAPTER VDE 230V/50Hz [E]	
	084-SR351400	AC ADAPTER BS1 240/50HZ [UK]	
	049-SRL35010	TEMPLATE SHEET [T/C]	
	049-SRL35020	TEMPLATE SHEET [E] [UK]	
	RC-996B	REMOTE CONTROL (BLACK)	
	RC-996W	REMOTE CONTROL (WHITE)	
	RC-996S	REMOTE CONTROL (SILVER GREY)	
	089-000000-12	FM LEAD-TYPE ANTENNA x 1 [T/C]	
	089-000000-14	FM LEAD-TYPE ANTENNAx1 [E] [UK]	

# SR-L38MP3

---

# TEAC

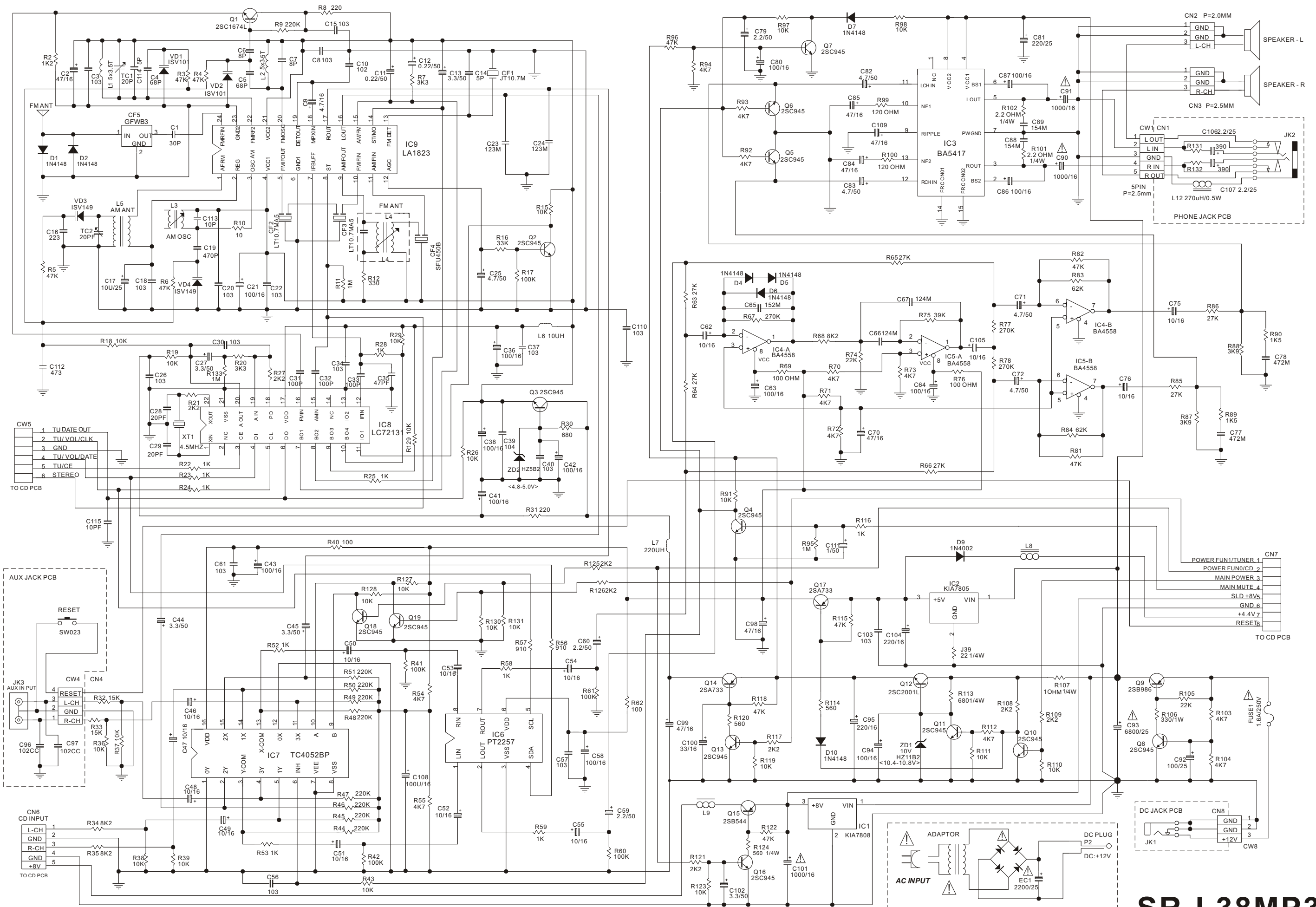
---

---

<b>TEAC CORPORATION</b>	3-7-3 Nakacho, Musashino-shi, Tokyo 180-8550, Japan Phone:(0422)52-5081
TEAC AMERICA, INC.	7733 Telegraph Road, Montebello, California 90640 Phone: (323)726-0303
TEAC CANADA LTD.	5939 Wallace Street, Mississauga, Ontario L4Z 1Z8, Canada Phone: (905)-890-8008
TEAC MEXICO, S.A.De C.V.	Campeños 184, Col. Granjas Esmeralda, 09810, Mexico Phone: (525)-581-5500
TEAC UK LIMITED	5 Marlin House, Croxley Business Park, Watford, Hertfordshire, WD18 8TE, U.K. Phone: 01923-819699
TEAC DEUTSCHLAND GmbH	Bahnstrasse 12, 65205 Wiesbaden-Erbenheim, Germany Phone:0611-71580
TEAC FRANCE S.A.	17, Rue Alexis-de-Tocqueville, CE 005 92182 Antony Cedex, France Phone:(1)42.37.01.02
TEAC NEDERLAND BV	Oeverkruid 15,NL-4941 W Raamsdonksveer, Nederland Phone:0162-510210
TEAC BELGIUM NV/SA.	c/o TEAC NEDERLAND BV, Oeverkruid 15, NL-4941 W Raamsdonksveer, Nederland Phone:+31-162-510860
TEAC ITALIANA S.p.A.	Via C, Cantu 11, 20092 Cinisello Balsamo, Milano, Italy Phone:02-66010550
TEAC AUSTRALIA PTY., LTD.	280 William Street, Melbourne VIC 3000, Australia Phone:(03)9672-2400
A.B.N.	80 005 408 462

---

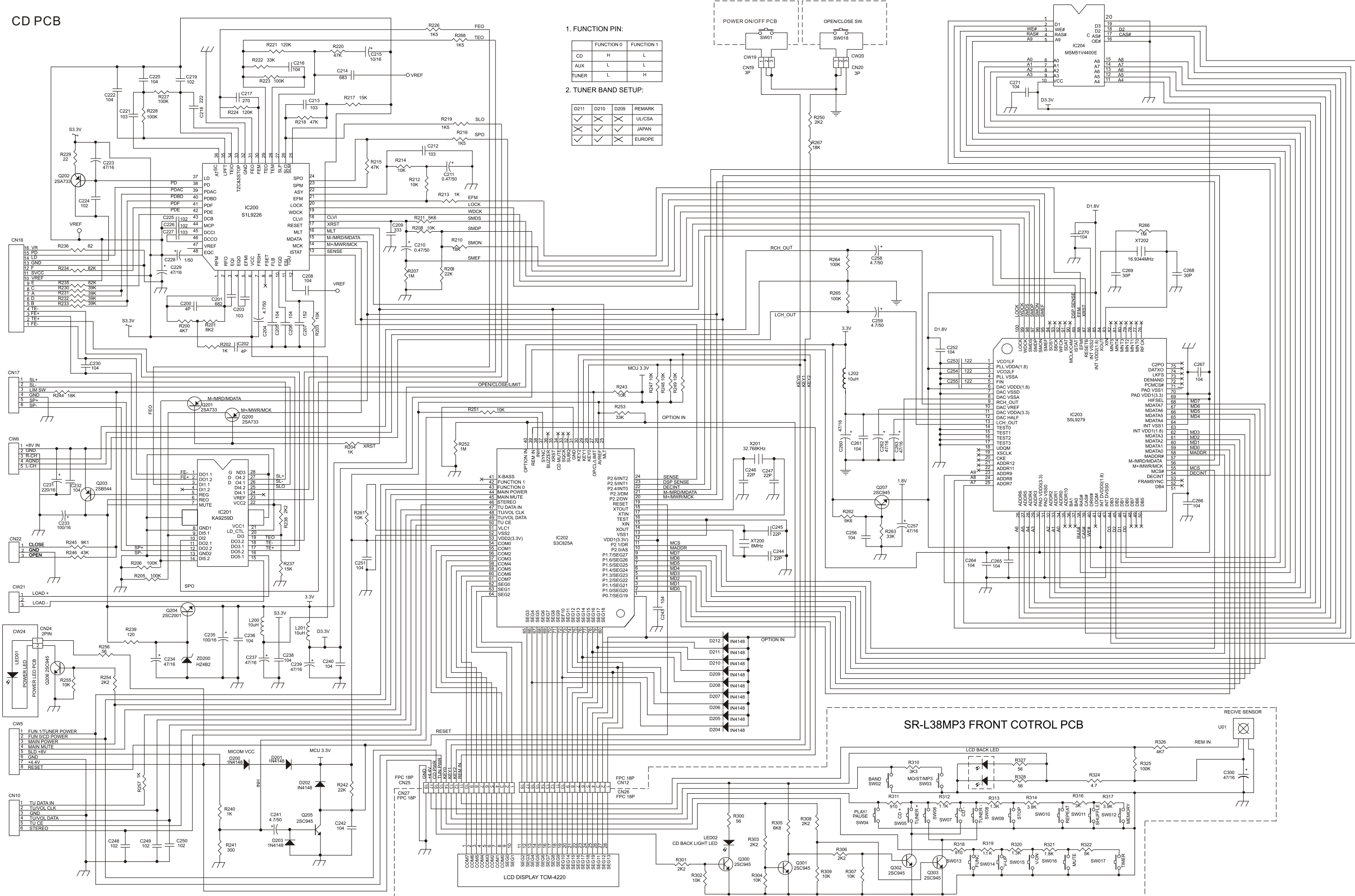
MAIN PCB



**SR-L38MP3**  
WALL-MOUNTABLE CD RECEIVER



# CD PCB

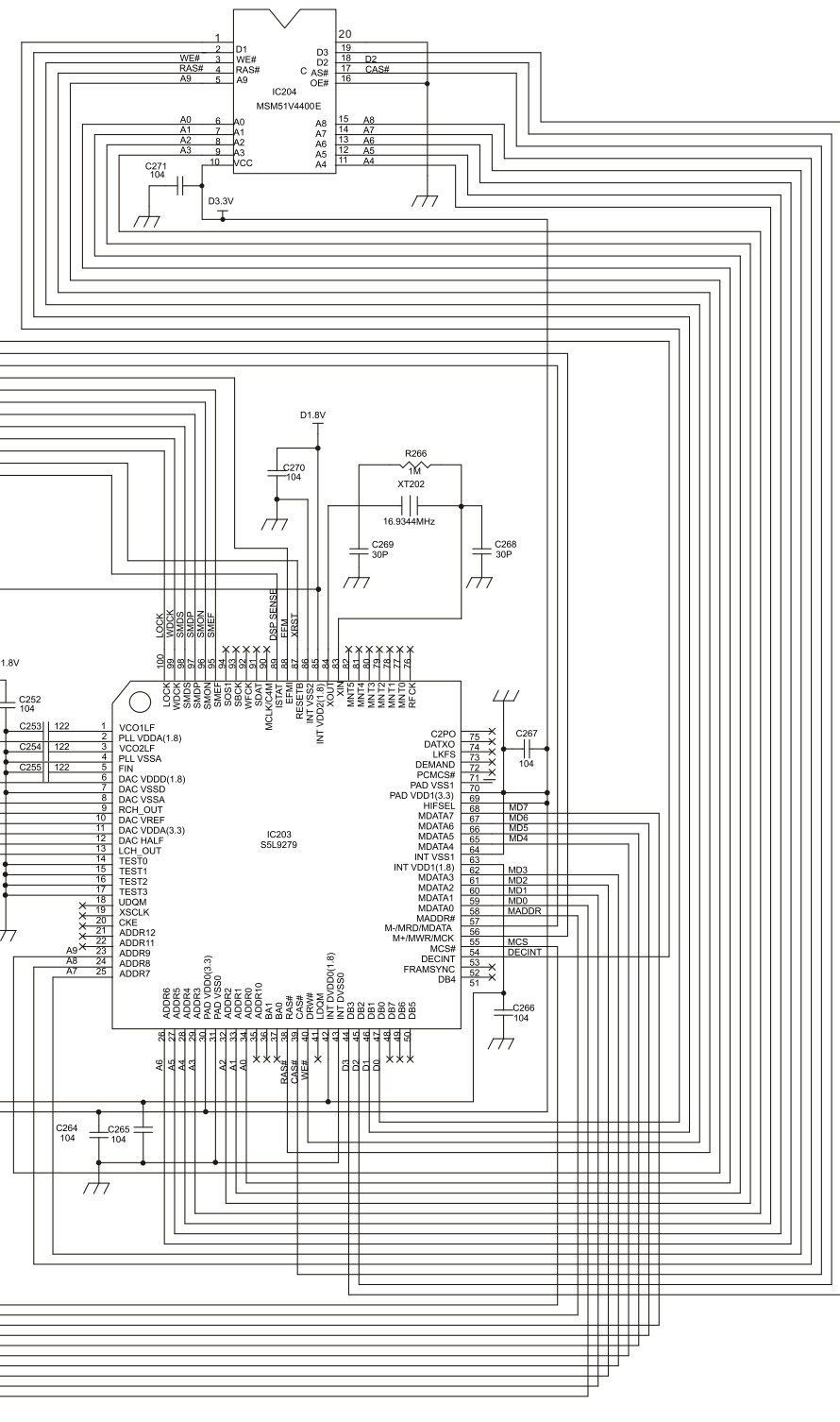
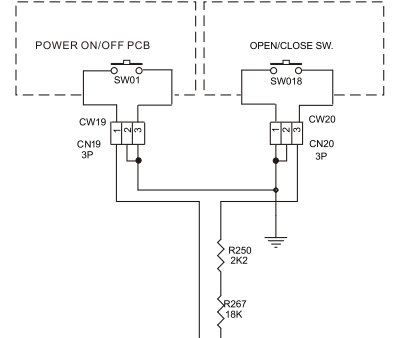


**1. FUNCTION PIN:**

FUNCTION	FUNCTION 0	FUNCTION 1
CD	H	L
AUX	L	L
TUNER	L	H

**2. TUNER BAND SETUP:**

D211	D210	D209	REMARK
X	X	X	UL/CSA
X	X	X	JAPAN
X	X	X	EUROPE



## SR-L38MP3 FRONT CONTROL PCB

# SR-L38MP3

## WALL-MOUNTABLE CD RECEIVER